

MOULDED POLYPROPYLENE WHEELBARROW

Product Code: 7135



110 Litre / 160kg Capacity, 32cm deep tray



Pneumatic tyre on moulded disk wheel



Removable Tray for multipurpose use



Zinc plated steel tube one-piece frame

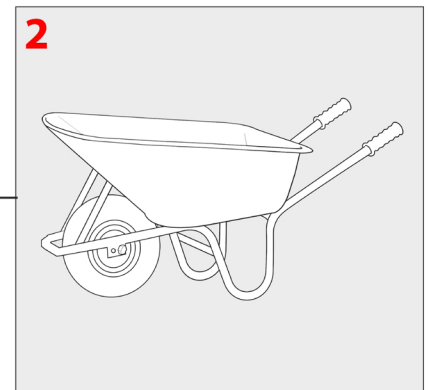
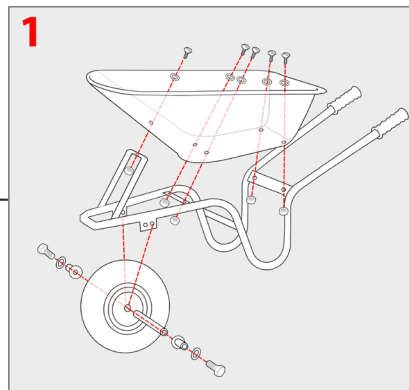
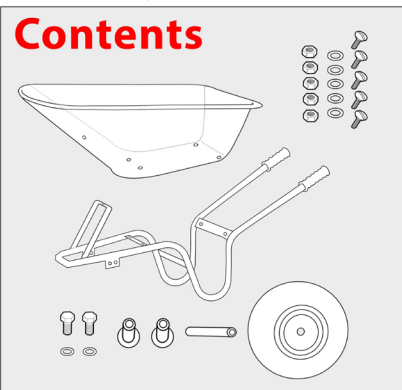


Deep tread 39cm rubber tyres



Comfort grip powder coated handles

Assembly Instructions




Spare Wheels Available

Extend the life of your wheelbarrow by replacing the wheel. Anti puncture and standard spare wheels are available, see our current Equestrian Catalogue for details.

Packaging:

Stretch wrapped and packaged on a standard shipping pallet, 25 items per pallet.

39cm Diameter Anti Puncture and Standard Spare wheels also available



Spare Anti Puncture Wheel product code **7135SAW**
Spare Standard Wheel product code **7135SSW**